

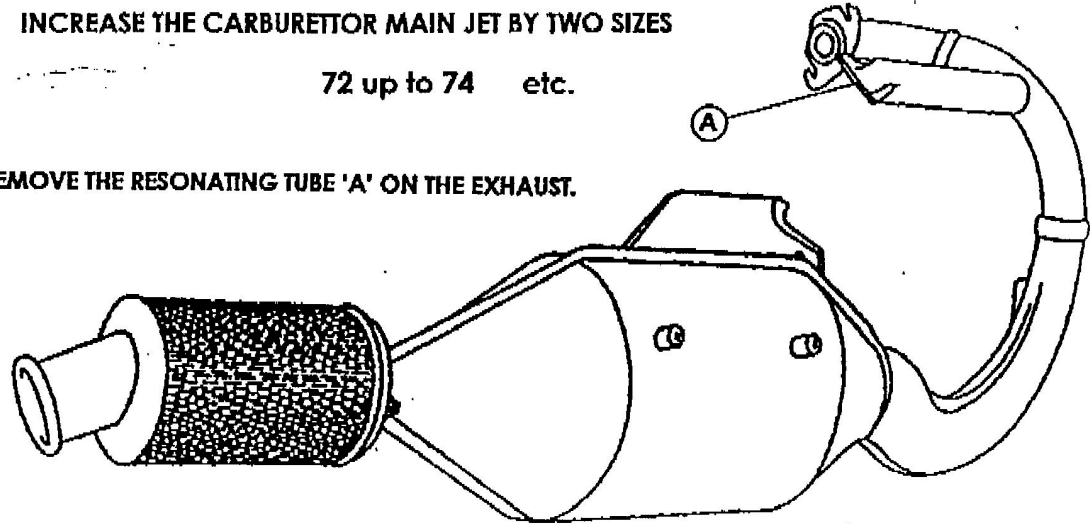


DE RESTRICTION OF A PEUGEOT 50cc SCOOTER.

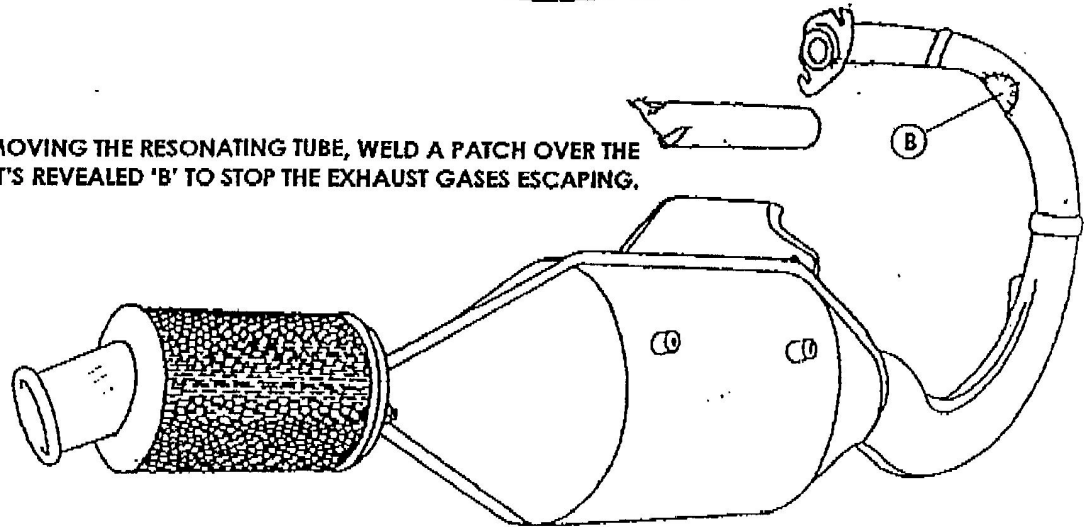
INCREASE THE CARBURETTOR MAIN JET BY TWO SIZES

72 up to 74 etc.

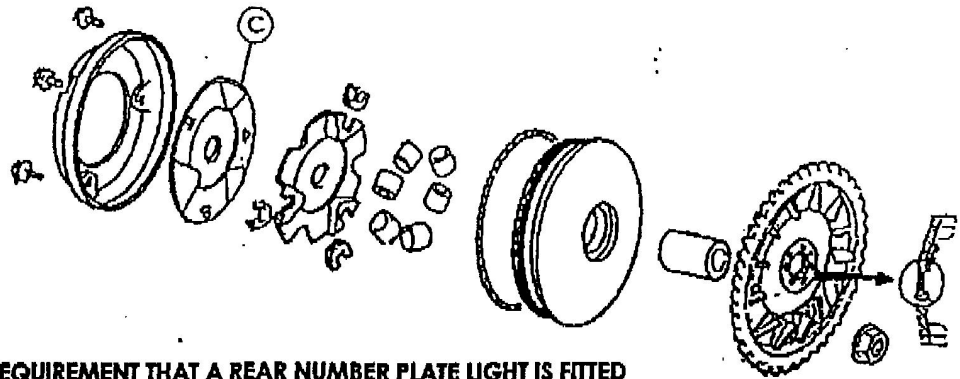
REMOVE THE RESONATING TUBE 'A' ON THE EXHAUST.



AFTER REMOVING THE RESONATING TUBE, WELD A PATCH OVER THE HOLE THAT'S REVEALED 'B' TO STOP THE EXHAUST GASES ESCAPING.



REMOVE RESTRICTER PLATE 'C' FROM THE FRONT PULLEY AND REASSEMBLE.



IT IS A LEGAL REQUIREMENT THAT A REAR NUMBER PLATE LIGHT IS FITTED (ITEMS D AND E) BECAUSE THE CLASSIFICATION CHANGES AFTER DE RESTRICTION FROM A MOPED TO A SMALL MOTORCYCLE.

IT IS A LEGAL REQUIREMENT THAT THE CUSTOMER NOTIFIES THE D.V.L.A. AND HIS/HERS INSURANCE COMPANY OF THESE CHANGES.

NOTE

IT IS ILLEGAL FOR A 16 YEAR OLD TO RIDE A DE RESTRICTED VEHICLE.

PART NUMBERS:- D = 736701, E = 737893.

